

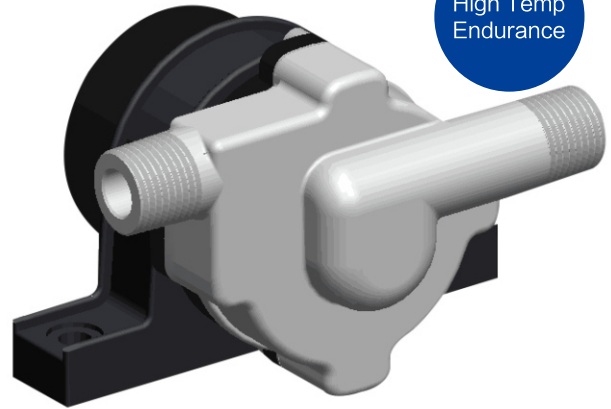
TD5

Micro DC Brushless Pump

Typical Applications

- Home Beer Brewing Pump
- Hot Water Circulation
- Beverage Dispenser
- General Liquid Transfer

High Temp
Endurance



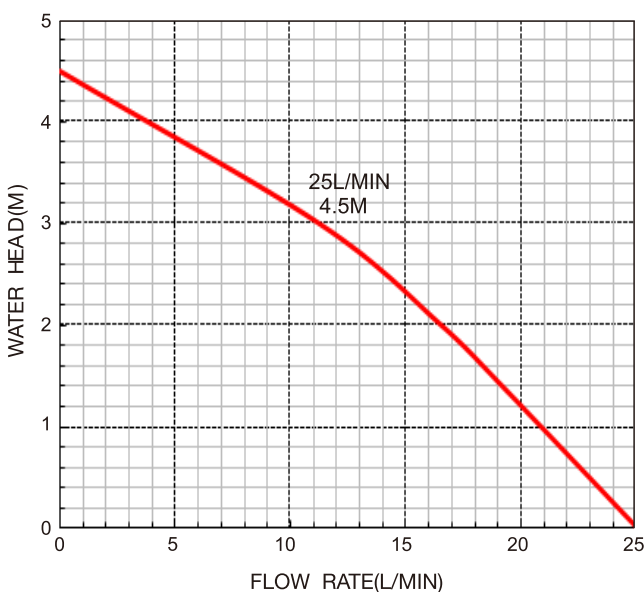
Specification

Model	Product Code	Max Flow Rate (L/Min)	Max Water Head (M)	Voltage (VDC)	Current (A)	Power (W)	Adaptor Type
TD5	TD5-A24-2505-P/US	25	4.5	24	1.4	35	USA
	TD5-A24-2505-P/UK	25	4.5	24	1.4	35	UK
	TD5-A24-2505-P/EU	25	4.5	24	1.4	35	European
	TD5-A24-2505-P/AU	25	4.5	24	1.4	35	Australia

Note: 1. High temperature 110°C (230°F) 2. Customization: /FG (RPM) signal wire; /PWM or /5V speed control

Curve & Dimension

TD5 Performance



Dimension (mm)

