

# TA50, TA60

## Electronic Auto Pump



**TOPSFLO**

Excellence in Micro pump, DC pump

**TA50**

Flow up to **25L/min**

**TA60**

Flow up to **37L/min**

Temp. sustain  $-40\sim 120^{\circ}\text{C}$

Meet car power supplying way

Vibration endurable



### Areas of use

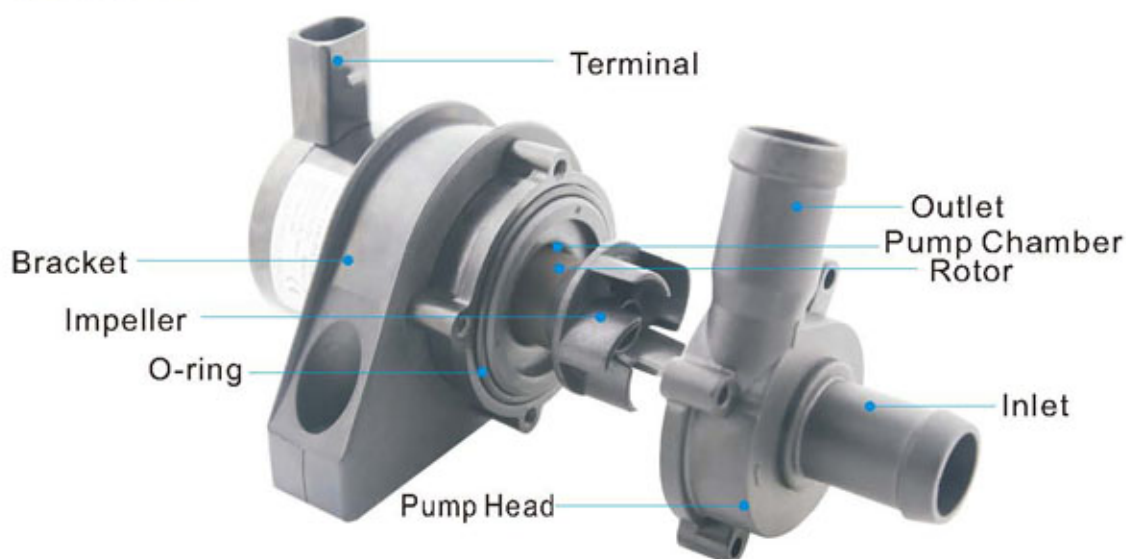
- Car engine cooling circulation
- Car engine pre-heating
- Heating system (Car Auxiliary heaters & parking heaters)
- Electric vehicles water circulation system
- Normal Hot Water Circulation
- Liquid Transfer
- General Purpose Pumping



## Features

- ◇DC brushless motor with long lifetime
- ◇Heavy duty work, can sustain continual 24 hours
- ◇Sustain -40~120°C, suitable for extreme outdoor environment
- ◇Durable permanent magnetic rotor/impeller & finceramic shaft
- ◇Advanced magnetic drive technology for static-impeller, without any leakage for ever
- ◇The motor with big machine movement optimization design, has very low temp rise
- ◇Automatic polarity protection, overload protection, block protection
- ◇special design to meet car vibration working condition
- ◇special design to meet car power supplying way which occur high peak voltage or unstable voltage
- ◇Equipped with specializing car water-against connector
- ◇Applied liquid: pure water, antifreeze solution
- ◇IP protection level : IP 67
- ◇Low or no maintenance
- ◇Low power consumption

## Structure



### Materials of Construction (wetted parts)

Wetted Parts	Materials	Wetted Parts	Materials
pump head	PPS	bearing sleeve	graphite
pump chamber	PPS	rotor magnetic	Ferrite
O-ring	EPDM	shaft	Stainless
impeller	Pa66	gasket	Stainless

## Core competence:

### Mechatronics and system integration.

As a world famous micro pump manufacturer, the brand TOPSFLO is synonymous with outstanding quality and efficiency. When developing this new product, we focus on the needs and demands of our customers. This way, we develop market-specific solutions for our Original Equipment partners.

We program & simulate real car engine heating system to ensure that our pumps are optimally tailored to the specific vehicle system.



## The benefit to the customers:

With 20mm Inlet/Outlet standard car connection and specialized water-proof connector, then the pumps can be quickly and efficiently integrated into vehicles.

With  $-40^{\circ}\text{C}\sim 120^{\circ}\text{C}$  ( $104\sim 248^{\circ}\text{F}$ ) working temperature, TOPSFLO TA50 engine pre-heating & parking heater pumps provide the vehicles an efficient working environment even at extreme outdoor temperatures and in bad weather conditions.

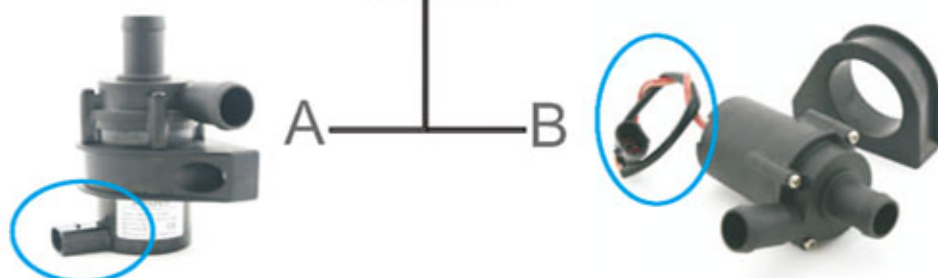
Special design to meet car vibration working requirement, car power supplying way which occur peak voltage or unstable voltage.

Special design to meet car power supplying way which occur high peak voltage or unstable voltage

With polarity protection function, then the pump will not burned by wrong wiring.

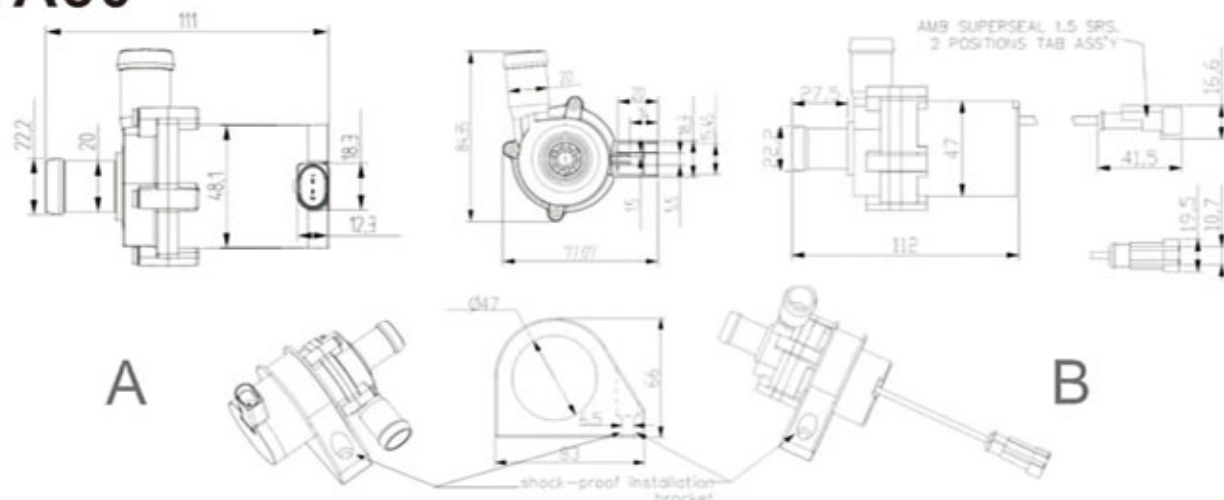
## TA50 Optional Terminal

TA50-R A/B-12-2503

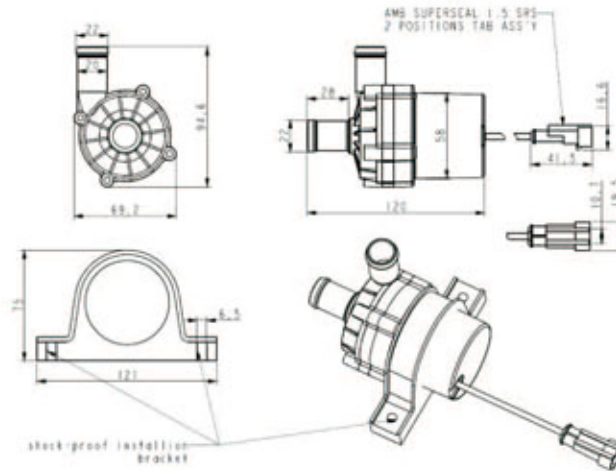


## Dimension

### ● TA50



● **TA60**



**Specification**

Model	Product Code	Max Flow Rate (L/Min)	Voltage (VDC)	Current (A)	Max Water Head (M)	Power (W)
TA50	TA50-RA/RB-12-1501	15	12	0.5	1	6
	TA50-RA/RB-12-2002	20	12	1	2	12
	TA50-RA/RB-12-2502	25	12	1.1	2.5	13.5
	TA50-RA/RB-24-1501	15	24	0.2	1	5
	TA50-RA/RB-24-2002	20	24	0.5	2	12
	TA50-RA/RB-24-2503	25	24	0.7	3	17
TA60	TA60-12-3709	37	12	4.6	9	55
	TA60-24-3709	37	24	2.5	9	60

